

# 1007P WHEEL SENSOR KIT (PACKARD)

## INSTALLATION INSTRUCTIONS

AM-1007P



### COMPONENT LIST

PART No.	DESCRIPTION	QTY
AA-110C	COMPACT REED SENSOR (BLACK)	1
AA-133	WHEEL MAGNET	1
AC-205	2 WAY 5m PACKARD EXTENSION CABLE	1
AM-1007P	INSTALL GUIDE	1

### INSTALLATION

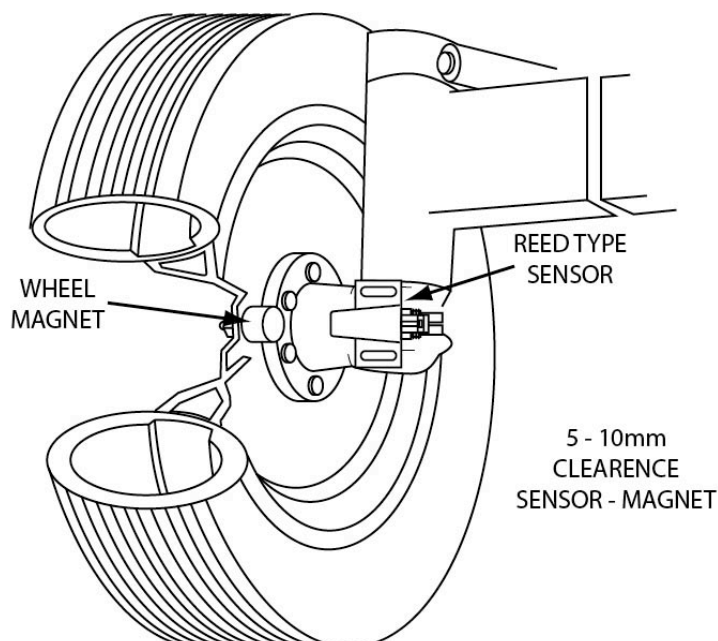
The wheel sensor kit can be fitted to any **undriven** ground wheel. Installation on a driven wheel will cause inaccuracy of the readout if wheel slip occurs. When fitted to trailed implements, extension cables are available in 5m lengths to provide a breakaway connection.

**OPTIONAL:** AC-205 5m 2 WAY SENSOR CABLE

***NB : This is our generic 5m Extension Cable, For connection to Jackal one end will need to be removed***

The magnet, fitted to the wheel must sweep past the sensor once per rotation as shown, with a clearance of 5-10mm (maximum clearance 15mm). **Do not use substitute magnets.**

The sensor and magnet **must** face end to end.



Locate the magnet as near to the hub as possible to gain maximum ground clearance. If unable to bolt magnet through hub, it can be screwed into a 1/2" U.N.F tapped hole or screwed into the nut brazed onto the hub.

If mounted onto a steered wheel be sure the sensor moves on the same axis as the wheel to maintain equal clearance when turning and ensure cable is not pulled tight when turned from lock to lock.

As the sensor is not affected by moisture or mud the main precaution is to protect the sensor and cable from physical damage. As a precaution, keep the wheel sensor cable away from, aerial leads, engine kill switch cable or wires to electronic clutches and solenoid valves. Use cable ties supplied to secure sensor cable.

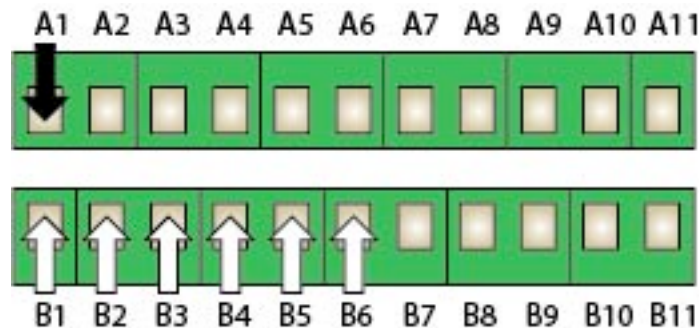
Make connection of wheel sensor into monitor, as explained in relevant monitor instructions.

## JACKAL CONNECTION GUIDE

Setup instructions can be found on page 28 of the [Jackal Instruction Manual](#), however the information below can also be used.

A1 Black Wire (Ground)

B1-B6 White Wire (Signal)



ie: B1= Input 1 B2=Input 2 B3=Input 3 etc

**NB :** ***DO NOT PIGGY BACK WHITE SIGNAL WIRES INTO SAME PORT***

*It is highly recommended that the ferrules supplied with the Jackal kit should be crimped to bare wire ends. This minimises any chance of wires bridging*