

1009P TAILSHAFT SENSOR KIT (compact)

INSTALLATION INSTRUCTIONS

AM-1009P



COMPONENT LIST

PART No.	DESCRIPTION	QTY
AA-110C	REED TYPE SENSOR (COMPACT)	1
AA-423	TAILSHAFT MAGNET (AA-117) & CLAMP	1
AC-205	2 WAY 5 m EXTENSION CABLE	1
AM-1009P	TAILSHAFT SENSOR INSTRUCTIONS	1

INSTALLATION

The Tailshaft Sensor Kit should be fitted at a point where vertical movement of the shaft is minimal, ie: the clearance between the magnet and sensor should remain fairly constant with a 10-15mm clearance. **Do not use substitute magnets.**

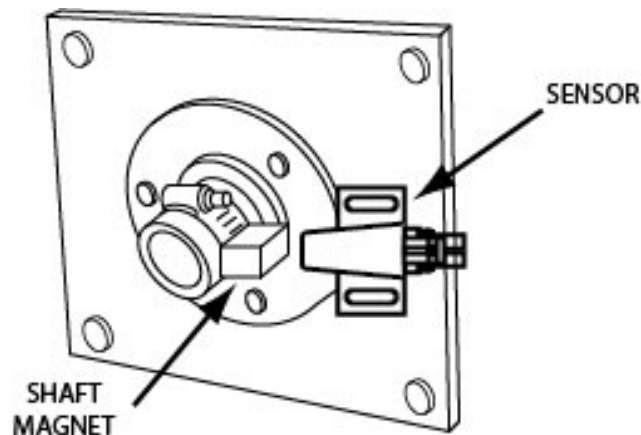
Best installation would be to install the sensor facing the side of the shaft, rather than directly above or below, except where the shaft is fixed, in which case the sensor may be positioned in any convenient location.

The sensor and magnet **must** face end to end.

The magnet may be transferred to another size hose clamp if necessary.

As the sensor is not affected by moisture or mud the main precaution is to protect the sensor and cable from physical damage. As a precaution, keep the sensor cable away from, aerial leads, engine kill switch cable or wires to electronic clutches and solenoid valves. Use cable ties supplied to secure sensor cable.

Make connection of tailshaft sensor into monitor, as explained in relevant monitor instructions.

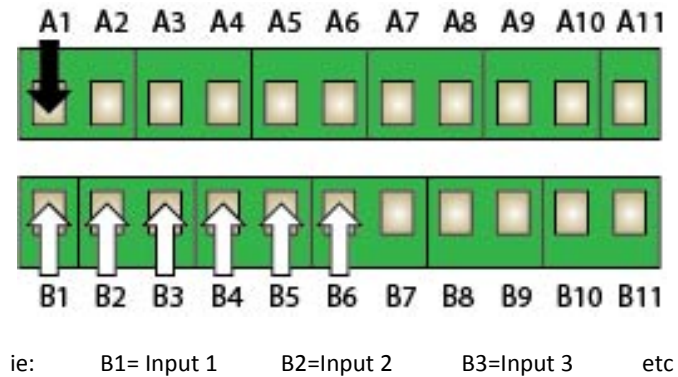


**JACKAL CONNECTION
GUIDE**

Setup instructions can be found on page 28 of the [Jackal Instruction Manual](#), however the information below can also be used.

A1 Black Wire (Ground)

B1-B6 White Wire (Signal)



NB : **DO NOT PIGGY BACK WHITE SIGNAL WIRES INTO SAME PORT**
It is highly recommended that the ferrules supplied with the Jackal kit should be crimped to bare wire ends. This minimises any chance of wires bridging