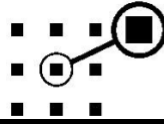


1501 SOLENOID SHUTDOWN KIT

INSTALLATION INSTRUCTIONS

AM-1501



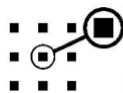
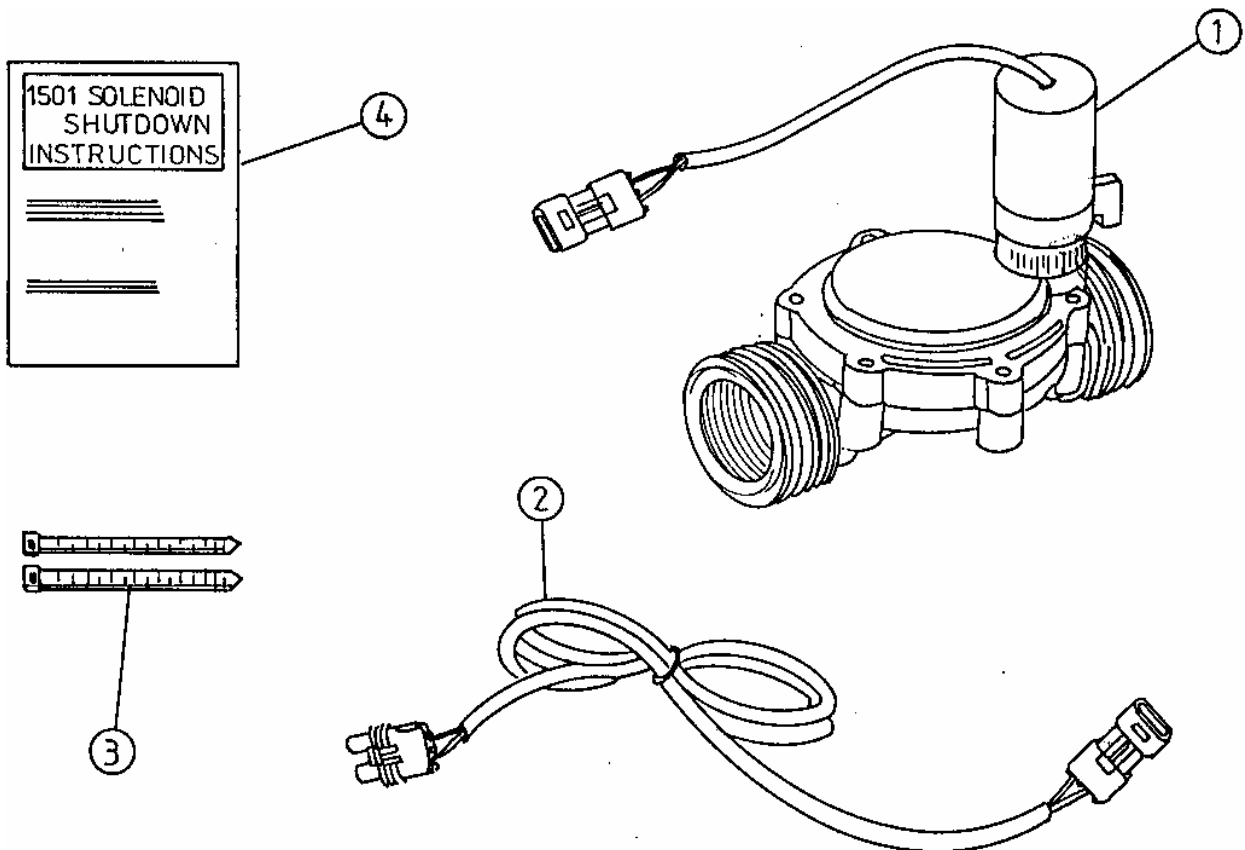
FARMSCAN

COMPONENT LIST

REF	PART No.	DESCRIPTION	QTY
1	AH-488	2" SOLENOID VALVE	1
2	AC-208	5 m SOLENOID POWER CABLE	1
3	HG-702	CABLE TIES 150 ? 3.5 mm	10
4	AM-1501	SOLENOID SHUTDOWN INSTRUCTIONS	1

GENERAL INFORMATION

The Solenoid Shutdown is to be used in conjunction with the 1500 Farmscan Bazooka Batchmeter to automatically stop the flow after pumping a preset volume of water.



INSTALLATION

1. Both the Bazooka Flow Sensor and Shutdown Solenoid **must** be installed on the delivery side of the pump (pressure side). If installed with gravity feed, there must be at least 6.5 m of water above the solenoid.
2. Make sure the arrow on the solenoid is pointing in the direction of flow.
3. The solenoid diaphragm is made of natural rubber which is mildly tolerant to **diluted** solvent based chemicals.
4. EPDM rubber diaphragms can be ordered specially if chemical tolerance becomes a problem.
5. Ideally , the solenoid should be used with fresh water only.
6. The small green plastic lever located under the solenoid activation coil can be used to override the electric operation at any time, (arrow pointing up towards coil will override electric operation).
7. Beware not to knock the solenoid coil which is likely to break on mild to heavy impact.
8. Water should be filtered prior to the solenoid valve to reduce the risk of debris lodging inside the solenoid and causing it to remain shut.
9. Follow 1500 Bazooka Batchmeter instructions to set Batchmeter to solenoid shutdown mode (SOL) and batch operation.

