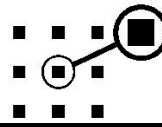


2025 PRESSURE SENSOR KIT (0-2500KPA)

INSTALLATION INSTRUCTIONS

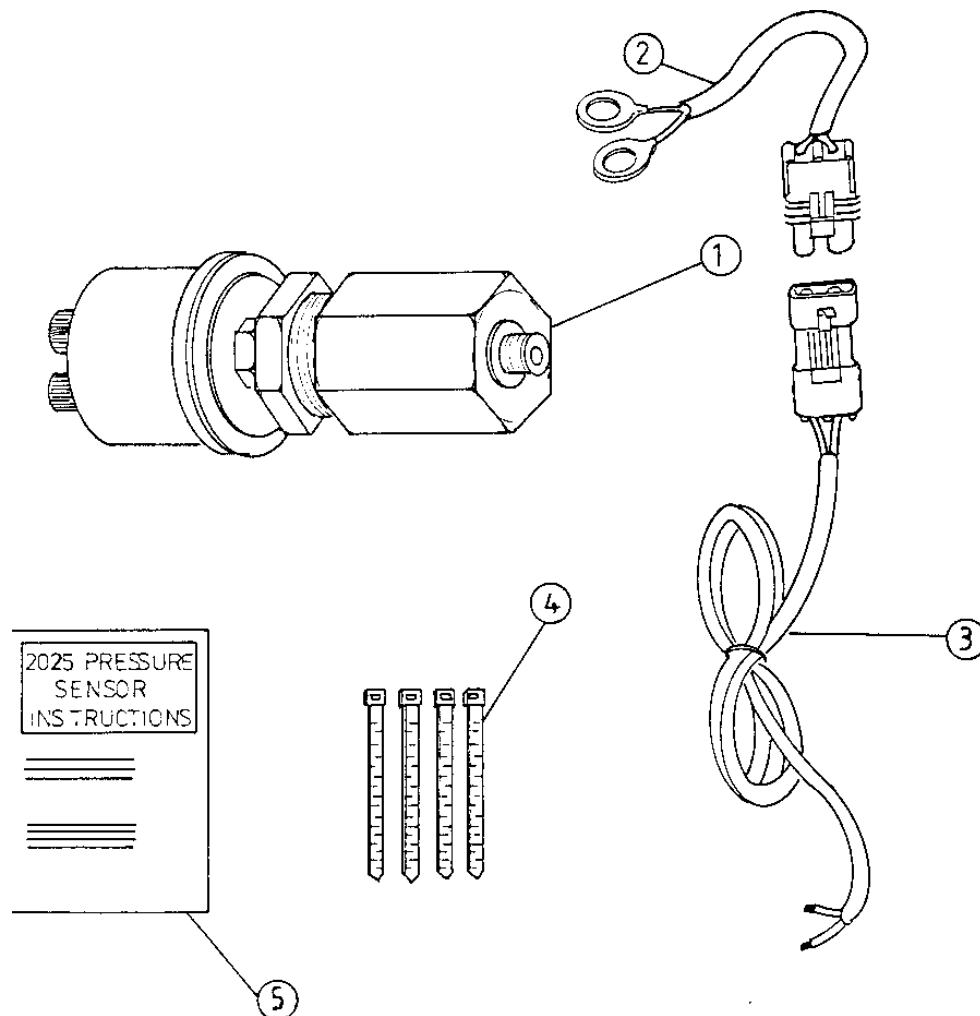
AM-2025



FARMSCAN

COMPONENT LIST

REF	PART No.	DESCRIPTION	QTY
1	AA-108	PRESSURE SENSOR & SNUBBER	1
2	AC-044P	PRESSURE SENSOR TAIL	1
3	AC-200	2 WAY 5 m CONNECTION CABLE	1
4	HG-702	CABLE TIES 150 x 3.5 mm	10
5	AM-2025	PRESSURE SENSOR INSTRUCTIONS	1



GENERAL INFORMATION

The 2025 Pressure sensor will operate over the range of 0 to 2500 Kpa.

The Pressure Sensor is supplied complete with brass a "Snubber" which acts to protect the Sensor from chemical damage.

The Pressure sensor adapter may be unscrewed for cleaning of powder build up on the inlet side of the snubber housing.

The sensor should not be removed from the Pressure sensor adapter which contains a measured quantity of a special oil inside the Viton Sack.

INSTALLATION

1. Screw pressure sensor and snubber unit into 1/8" NPTF threaded hole on the pressure line, using thread sealant (thread tape) to ensure a liquid tight seal.
2. Connect the sensor cable (the end with the eyes) to the screw terminals on the pressure sensor, positioning the spring washer between the eye and the nut. Polarity of these wires is not important.
3. If the snubber "INLET" becomes blocked with suspension chemicals remove sensor snubber assembly and hold snubber housing in a vice and gently unscrew sensor adaptor containing oil in one piece. Clean bottom section and reassemble without disturbing viton sack containing oil.

