

# 2034 PULLEY SENSOR KIT (50-9999 RPM)

## INSTALLATION INSTRUCTIONS

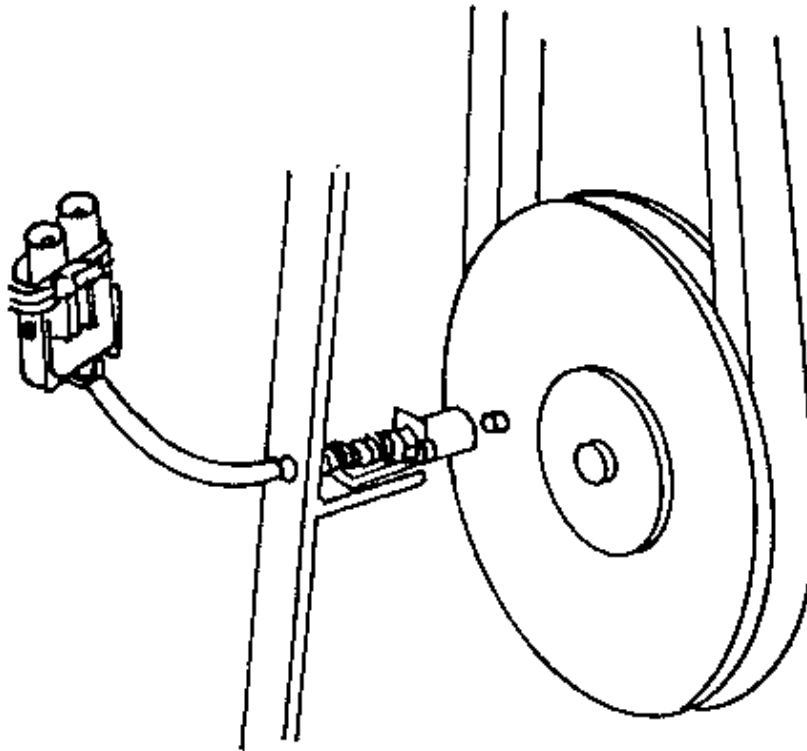
AM-2034



### COMPONENT LIST

REF	PART No.	DESCRIPTION	QTY
1	AA-112P or AA-112C	COIL TYPE SENSOR (PACKARD) COIL TYPE SENSOR (COMPACT)	1
2	AA-105	PULLEY MAGNET	1
3	AC-205 *	2 WAY 5 m EXTENSION CABLE	1
4	AH-400	PACKARD CABLE MOUNTING BRACKET	1
5	AM-2034	PULLEY SENSOR INSTRUCTION SHEET	1

*\* NB : This is our generic 5m Extension Cable, For connection to Jackal one end will need to be removed*



## INSTALLATION

1. Locate a suitable position on the pulley that will accommodate the pulley magnet, embedded to approximately **half** it's 15mm length.
2. Drill a 10mm clearance hole to a depth of 7mm into the pulley. Apply araldite to one end of the magnet and gently tap the magnet into the hole. Do not embed the magnet fully into the pulley.
3. Mount the sensor facing the magnet as shown below with an adjustable clearance of 5 - 15mm.

Do not remove sensor from **aluminium** bracket supplied, damage will result. (If using the AA-112P)

4. Connect sensor to sensor cable and secure cable away from risk of damage using cable ties supplied.

As the sensor is not affected by moisture, the main precaution is to protect the sensor from physical damage. As a precaution, the pulley sensor cable should be kept away from, aerial leads, engine kill switch cable, or wires to electronic clutches and solenoid valves.

5. Make connection of sensor cable to monitor as explained in relevant monitor instruction manual.

### SENSOR ADJUSTMENT PROCEDURE

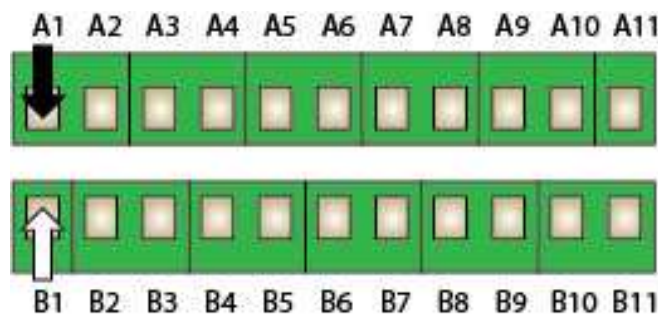
Run pulley to approximate working speed, then carefully adjust sensor clearance until RPM readout is stable. Lock sensor in position.

NOTE: Readings may be erratic if sensor is mounted too close to magnet or the magnet is fully embedded, and readings will fade away if sensor is too far away.

## JACKAL CONNECTION GUIDE

Setup instructions can be found on page 29 of the [Jackal Instruction Manual](#), however the information below can also be used.

A1      Black Wire (Ground)                      B1 ONLY White Wire (Signal)



ie:      B1= Input 1

**NB :**      **DO NOT PIGGY BACK WHITE SIGNAL WIRES INTO SAME PORT**  
*It is highly recommended that the ferrules supplied with the Jackal kit should be crimped to bare wire ends. This minimises any chance of wires bridging*