

2077 SHAFT SENSOR KIT (50 – 999 RPM)

INSTALLATION INSTRUCTIONS

AM-2077



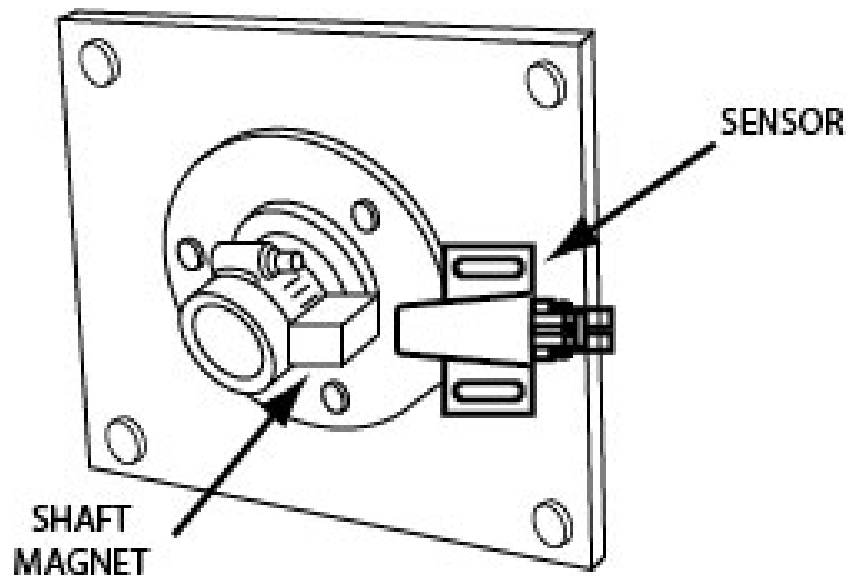
COMPONENT LIST

PART No.	DESCRIPTION	QTY
AA-112C	COMPACT COIL SENSOR	1
AA-117	SHAFT MAGNET & CLAMP	1
AC-205 *	2 WAY 5M EXTENSION CABLE	1
AM-2076	SHAFT SENSOR INSTRUCTIONS	1

** NB : This is our generic 5m Extension Cable, For connection to Jackal one end will need to be removed*

GENERAL INFORMATION

The 2077 Shaft sensor will operate over the range of 50 - 999 RPM and is used for Shaft RPM monitoring on Ports 1-4 on the FarmscanAG 2200 Surveillance monitor or Ports **B1** on the FarmscanAG Jackal.



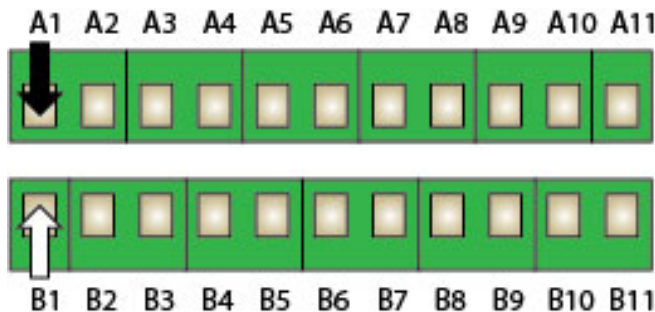
SHAFT MAGNET & SENSOR INSTALLATION

1. Clamp the shaft magnet around a shaft or lock collar. The clamp is adjustable from 17 - 32mm diameter. The magnet may be transferred to a larger clamp if necessary. **Do not use substitute magnets.**
2. Mount the sensor facing the magnet as shown below, with an adjustable clearance of 5 - 15mm.
3. Connect sensor to sensor cable and secure cable away from risk of damage using cable ties supplied.
4. As the sensor is not affected by moisture, the main precaution is to protect the sensor from physical damage. As a precaution the shaft sensor should be kept away from, aerial leads, engine kill switch cable, or wires to electronic clutches and solenoid valves.
5. Make connection of shaft sensor into the Surveillance Monitor
Black Wire to Pin 7 or 9 **White Wire to Pin 1, 2, 3 or 4**

JACKAL CONNECTION GUIDE

Setup instructions can be found on page 29 of the [Jackal Instruction Manual](#), however the information below can also be used.

A1 Black Wire (Ground) B1 ONLY White Wire (Signal)



ie: B1= Input 1

NB : ***DO NOT PIGGY BACK WHITE SIGNAL WIRES INTO SAME PORT***
It is highly recommended that the ferrules supplied with the Jackal kit should be crimped to bare wire ends. This minimises any chance of wires bridging

SENSOR ADJUSTMENT PROCEDURE

Run shaft to approximate working speed, then carefully adjust sensor clearance until RPM readout is stable. Lock sensor in position.

NOTE: Readings may be erratic if sensor is mounted too close to magnet and readings will fade away if sensor is too far away.