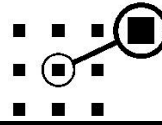


2080 PRESSURE SENSOR KIT (0-25 KPA)

INSTALLATION INSTRUCTIONS

AM-2080



FARMSCAN

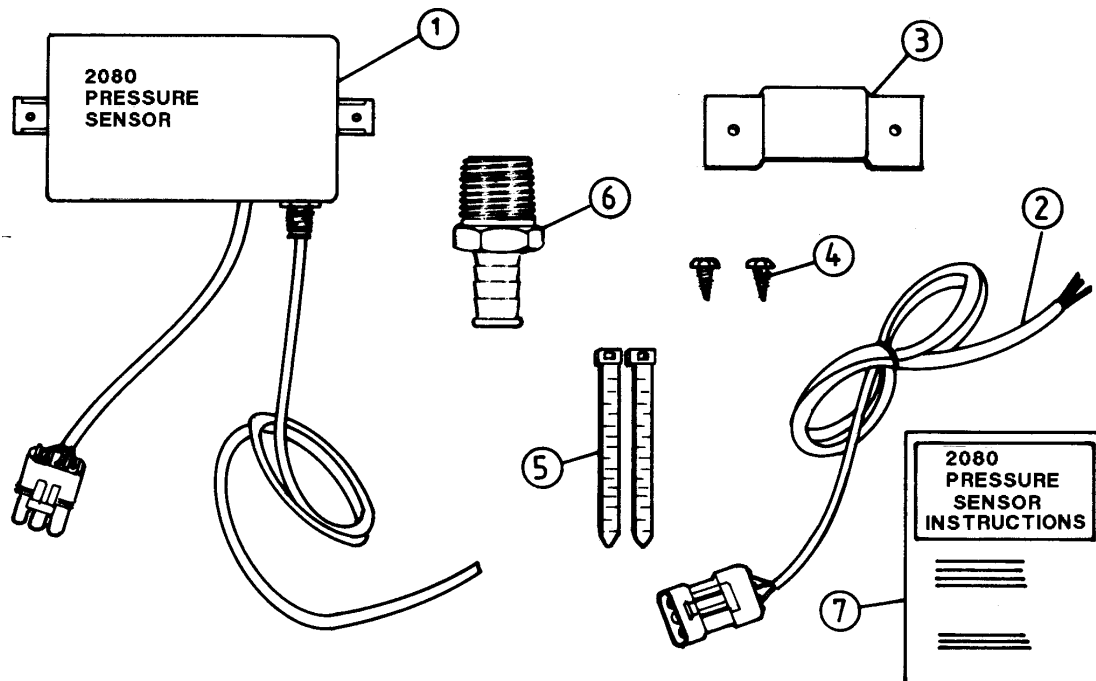
COMPONENT LIST

REF	PART No.	DESCRIPTION	QTY
1	A-2080	PRESSURE SENSOR (0-25 KPA)	1
2	AC-300	3 WAY 5M EXTENSION CABLE	1
3	AH-400	CABLE MOUNTING BRACKET	1
4	HS-8X1/2	SELF TAPPERS 1/2 X 8G ZINC	2
5.	HG-702	CABLE TIES 150 X 3.5MM	10
6	HH-1008	AIR PRESSURE FITTING 1/4" BSPT	1
7	AM-2080	2080 PRESSURE SENSOR INSTRUCTIONS	1

GENERAL INFORMATION

The 2080 Pressure Sensor kit enables you to monitor Airseeder fan pressure across the range of 0 - 25 KPA.

This Pressure Sensor can only be used in conjunction with the 2200 Surveillance Monitor fitted with low pressure version software.



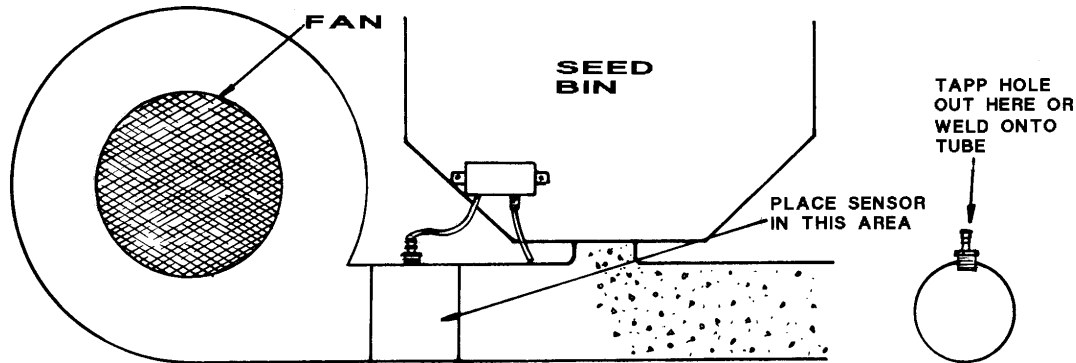
FARMSCAN

Part No: AM-2080
March 2002

INSTALLATION

The Air pressure fitting must be mounted on the fan outlet tube before Seed and Fertiliser enters the airstream. The sensor cannot be mounted after grain is in the main tube.

The fitting needs to be screwed into a hole tapped out to 1/4" BSP thread, or can be Braized into a hole drilled into the tube.



Mount the Sensor box in close proximity to the fan out of direct weather exposure and connect the airline cut to length to the Pressure Fitting.

Using the extension cable provided run the lead to the back of the Surveillance Monitor connecting as below:

White wire	Port 4
Red wire	Pin 8 +12 Volts
Black wire	Pin 7 Ground

Secure the cable and airline away from damage using the cable ties provided.

Extension cables are available if required:

OPTIONAL	2201	10m	EXTENDED JUNCTION BOX
	AC-300	5m	3 WAY SENSOR CABLE EXTENSION
	AC-310	10m	3 WAY SENSOR CABLE EXTENSION

CALIBRATION

Follow the Section DEFINE PORTS CALIBRATION in the 2200 Surveillance Manual and configure Port 4 to pressure 0 - 25 KPA. Then follow the Section CALIBRATION ALARMS in the Surveillance manual to set the alarm points desired.

ACCURACY

The reading of the 2080 Pressure Sensor which is displayed on the 2200 will vary slightly with temperature. The reading will be slightly high when the ambient temperature is low and the reading will be slightly low when the ambient temperature is high. The variation will be limited to $\pm 1\text{kpa}$ – 1.5kpa