

## 7" & 9" Multi Camera Monitoring



**OPERATING INSTRUCTIONS**  
**AM-3100 / AM-3109**

Thank you for purchasing the Farmscan AG 3100/3109 multi camera monitor kit.

Before connecting, operating or adjusting this product, please read the following instructions.

1. Do not attempt to repair by yourself. If any problems occur, please immediately turn the unit off and contact Farmscan AG or your local dealer.
2. Detachment or reassembling without professional may result to damage to the unit.
3. Do not expose to very humid air, extreme dust, fumes or excessive sunlight.
4. Do not use thinners, acetone or other chemical cleaner. Please use a soft cloth for cleaning only.
5. Storage temperature: -25~60°C
6. Operating temperature: -20~50°C
7. Prevent the monitor from falling or being struck.



**For your safety, please do not operate the monitor when you are driving.**

Dead pixels : There maybe some green/blank dots that appear in the screen, it's a common phenomenon in active matrix display technology, but not a defect or fault with the unit.

## ○ What's in the Kit

- 7" or 9" TFT LCD (PN : A-3100 or A-3109)
- Sun Visor (PN : AH-3100SV)
- Bracket (PN : AH-3100)
- Remote Control (PN : AH-3100R)
- Power Harness Fused (PN : 3100-PC)
- 4 Way Camera Harness (PN : 3100-CC)
- 2x Square Style Camera (PN : 3101)
- 2x 10m Extension Cable (PN : 3100-EXT-10M)
- Warranty Card

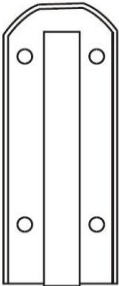
## ○ Technical Specifications

- Display size: 7-inch or 9-inch with sun visor
- Display format: 16:9
- System: PAL/NTSC
- Power supply: 12~24V
- Power: 12V
- Picture resolution: 1440 (H)×234 (W)

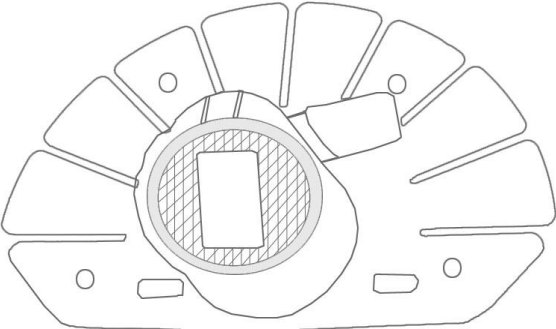
## ○ Accessories

- 5m Extension Cable (PN : 3100-EXT-05M)
- 10m Extension Cable (PN : 3100-EXT-10M)
- 15m Extension Cable (PN : 3100-EXT-15M)
- 20m Extension Cable (PN : 3100-EXT-20M)
- Bullet Style Camera (PN : 3102)
- 2 Way Trailer Harness (PN : 3100-TC-2)
- 4 Way Trailer Harness (PN : 3100-TC-4)

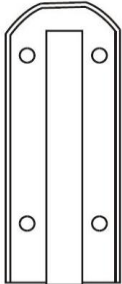
○ Bracket accessories



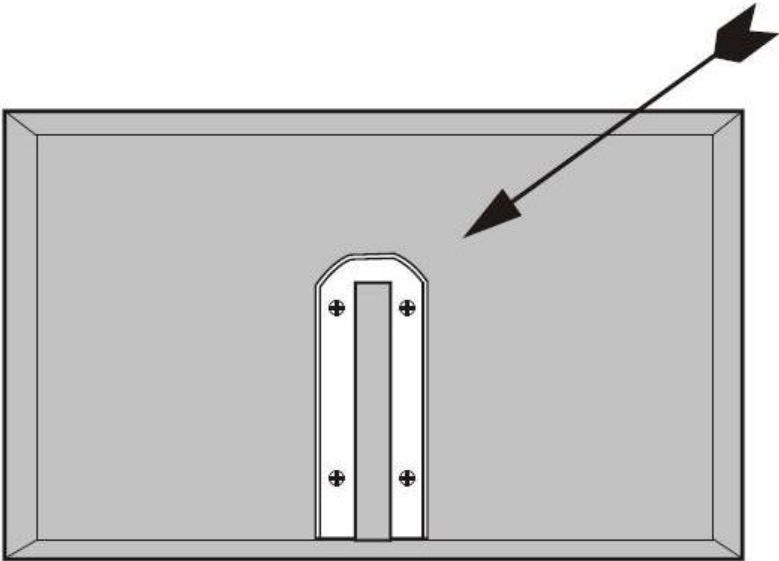
Bracket  
For mounting stand style purpose



Mounting stand

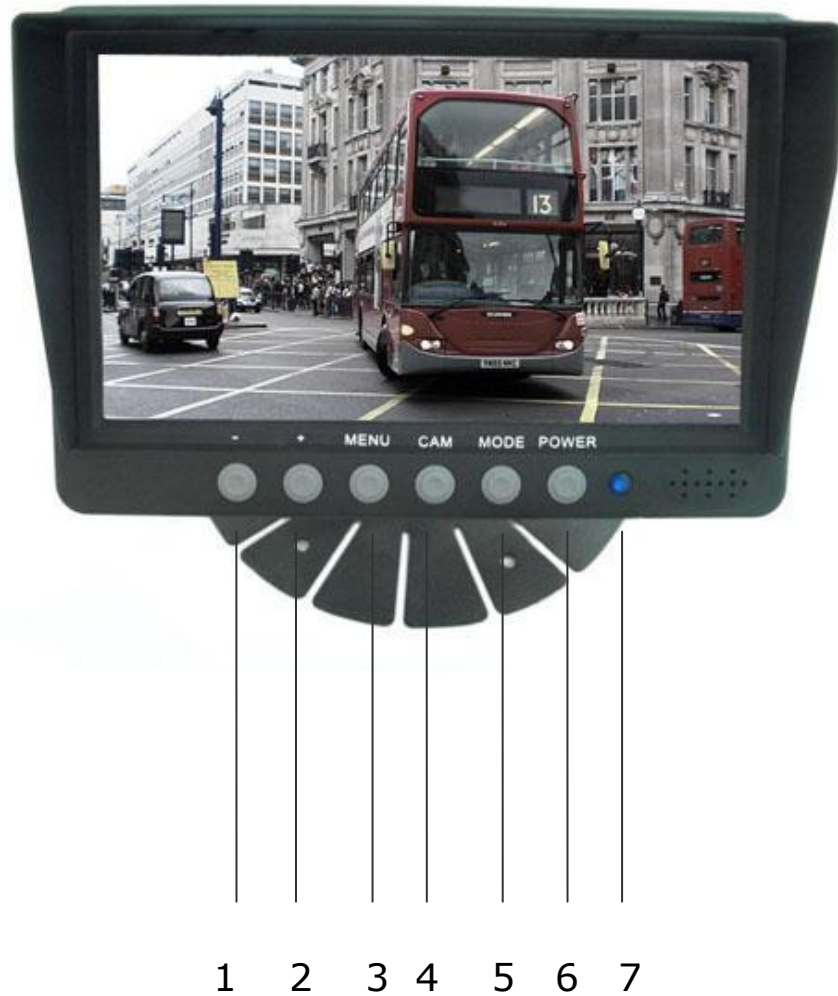


Bracket



Use Bracket for stand style

○ **Monitor – 7” or 9”**



(1) (-) Decrease button

(2) (+) Increase button

(3) Menu

(4) CAM 1 > CAM 2 > CAM 3 > CAM 4 (Manual Select)

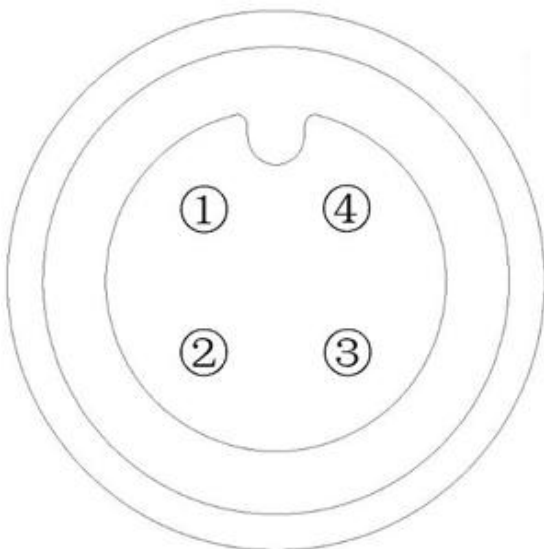
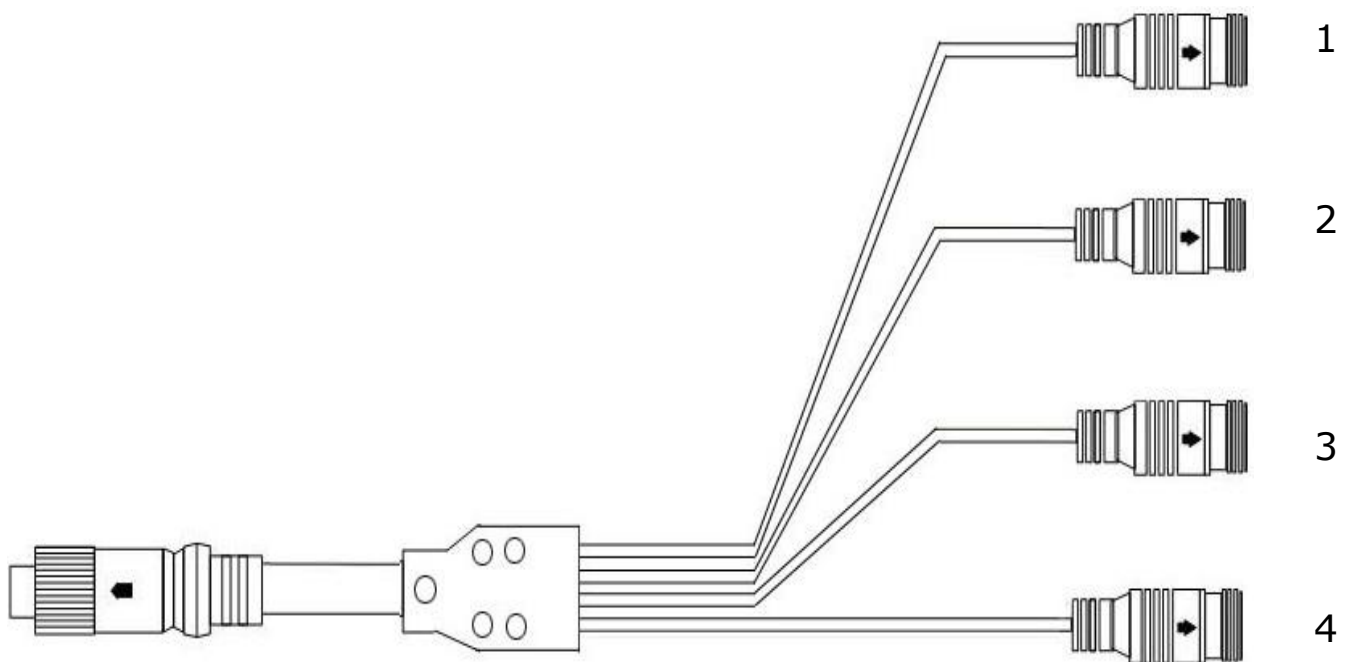
(5) MODE > Single View > Split view > Quad view > Scan View

(6) Power switch

(7) Power indicator

## ○ Video Connections

- (1) Monitor to camera 1
- (2) Monitor to camera 2
- (3) Monitor to camera 3
- (4) Monitor to camera 4

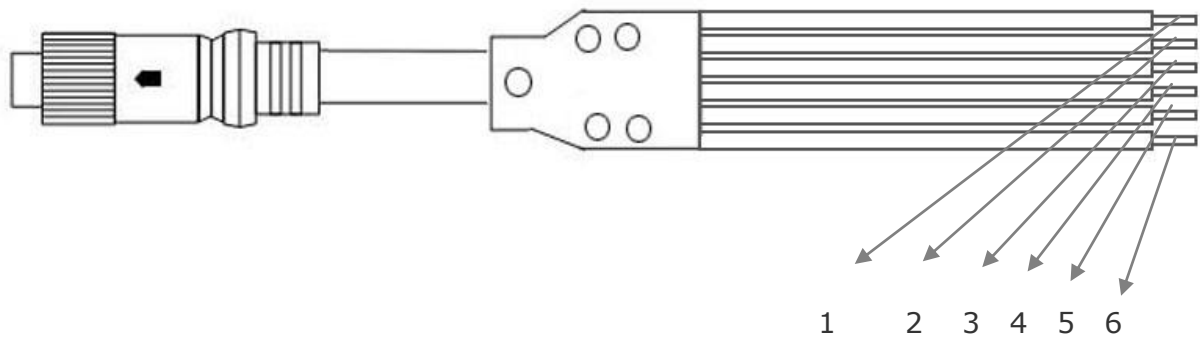


### Male:

- ① Video IN
- ② Audio IN (or Vacant)
- ③ Ground OUT
- ④ Power OUT +12V

## ○ Power Connections

**PLEASE NOTE : TRIGGER WIRES ARE ONLY TO BE CONNECTED IF WIRING TO A REVERSING LIGHT. IF TRIGGER WIRES ARE CONNECTED THE MODE BUTTON CAN BECOME DISABLED.**



- (1) Green: **Trigger Cam 1**  
(Reversing light power positive. DC12~24V)
- (2) White: **Trigger Cam 2**  
(Optional. DC12~24V)
- (3) Yellow: **Trigger Cam 3**  
(Connect positive end of left reversing light. DC12~24V)
- (4) Blue: **Trigger Cam 4**  
(Connect positive end of right reversing light. DC12~24V)
- (5) Black: **Ground.**
- (6) Red: **ACC**  
(Car key power. DC12~24V)