

Installation and Operation Instructions



CONTENTS

COMPONENT LIST.....	2
PARTS PICTORIAL.....	4
GENERAL INFORMATION.....	5
3704 INSTALLATION.....	5
3704 OPERATION.....	8
TROUBLESHOOTING.....	9

COMPONENT LIST –SMART SWITCH 3704 KIT

REF	PART No.	DESCRIPTION	QTY
1	A-3704	3704 MASTER CONTROL KIT	1
2	AH-37XX	SWITCH MOUNTING BRACKET	2
3	AH-408	UNIVERSAL HARDWARE PACK	1
4	AC-160	2M 6PIN LTW FEM LOCK END	1
5	AC-37XX/PWR-00	SMART SWITCH POWER CABLE	1
6	AC-912	9 PIN DATA CABLE 1.8M	1
7	AM-200	FARMSCAN WARRANTY CARD	1
8	AM-3704	3704 MASTER CONTROL MANUAL	1

! IMPORTANT !

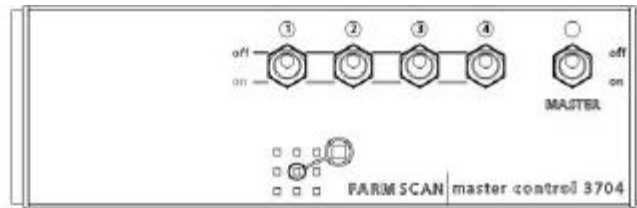
The 3704 master control box is only compatible with the following cab modules:

??CANKINK 3500 VRC

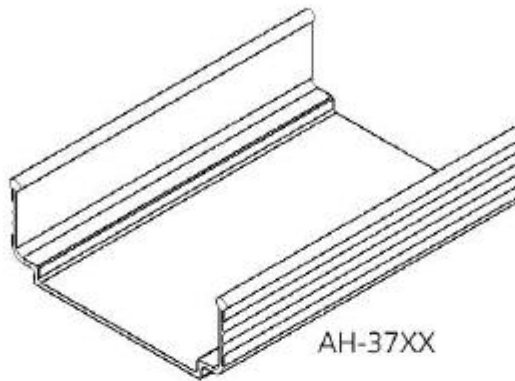
??FARMLAP RT 4000

??FARMLAP PRO 5500

PARTS PICTORIAL – 3704 KIT



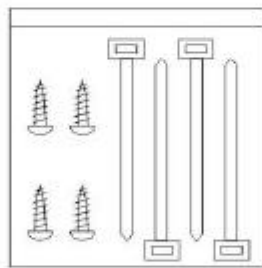
3704 master control box ①



②



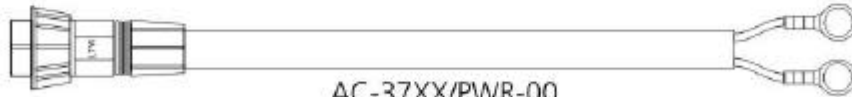
④



③



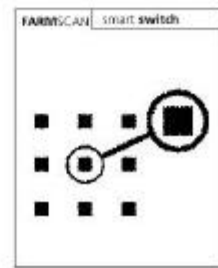
⑥



⑤



⑦



⑧

GENERAL INFORMATION

The 3704 switch panel provides switching for a number of boom sections. 4 section switch options are available.

The 3704 switch panel sends control messages via a communication cable to the cab module, which in turn sends messages to the pod control box to turn the section valves on or off.

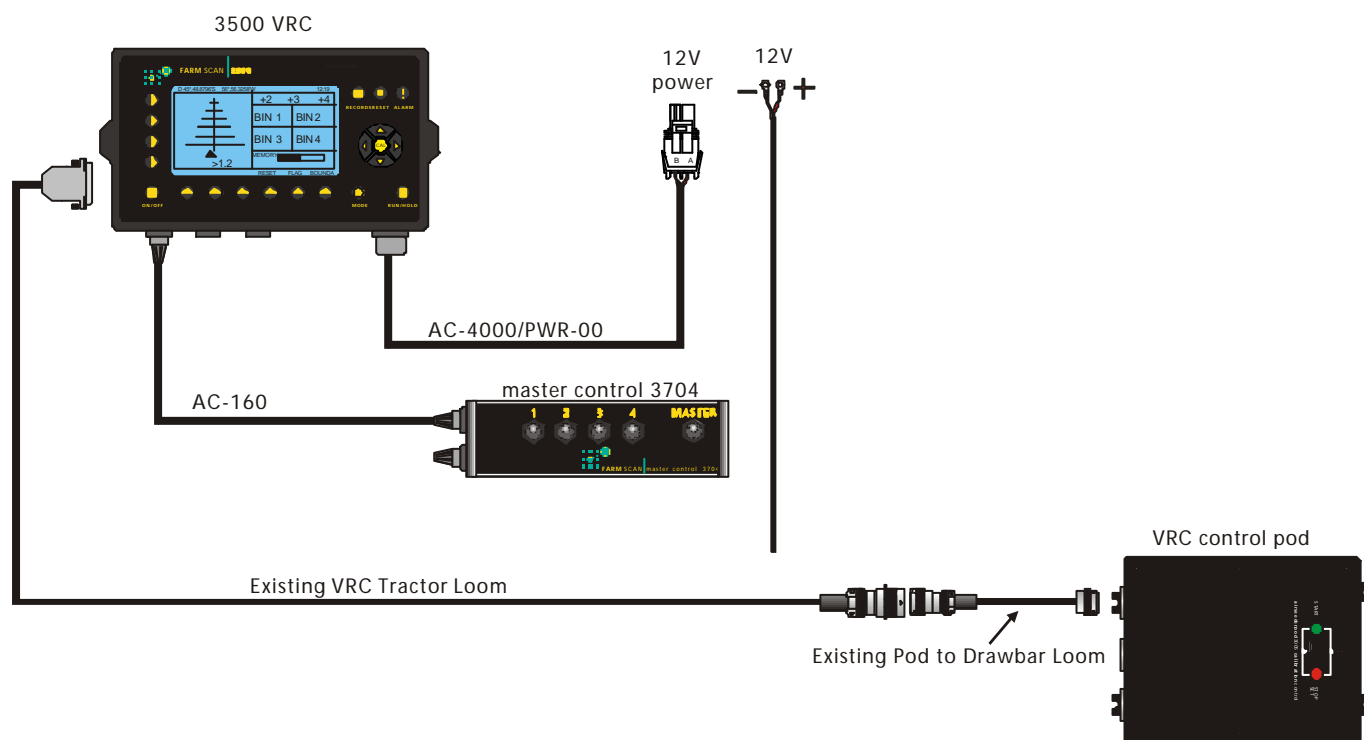
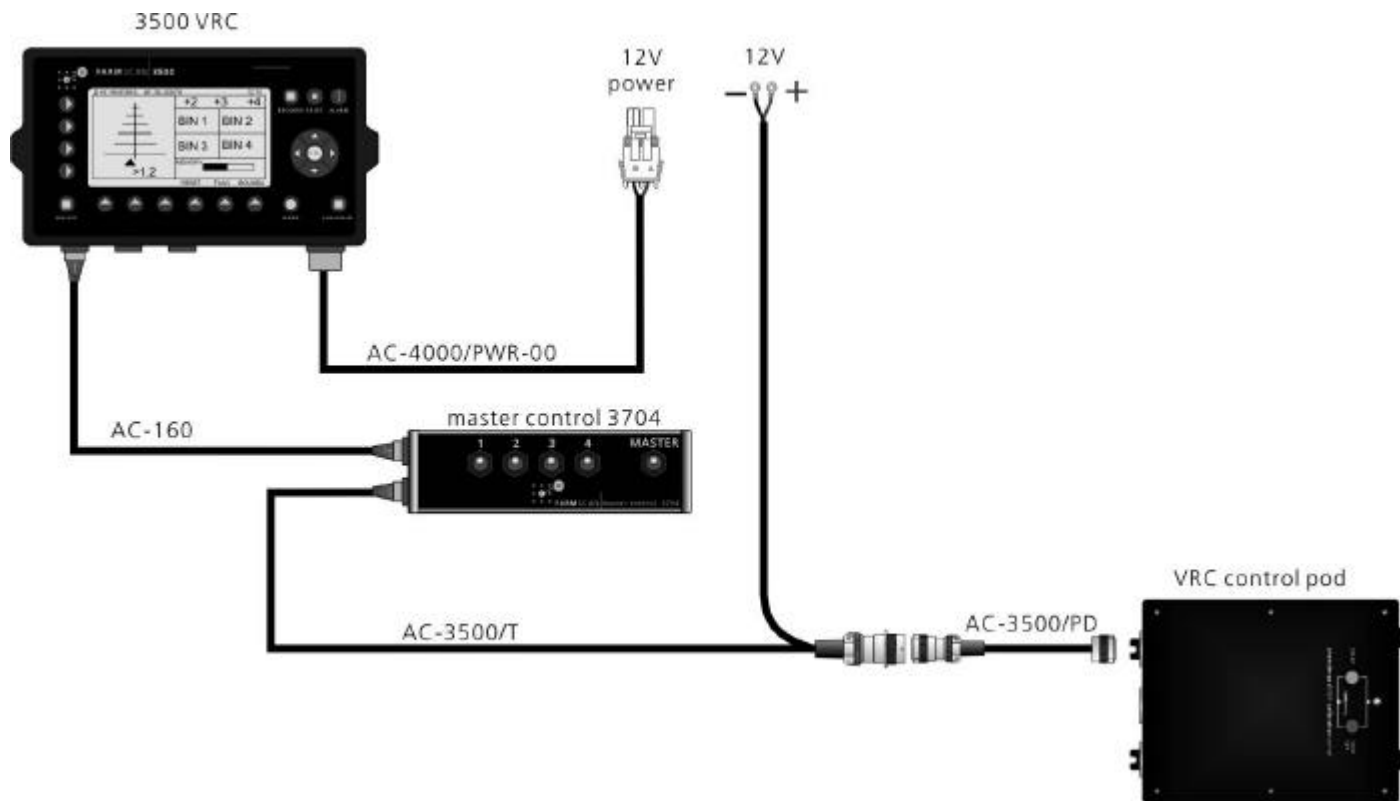
3704 INSTALLATION

Mount the 3704 switch panel in the cab using the mounting bracket supplied in the kit. Mount in an in-view and easily accessible location.

The switch panel is not weather proof and must be installed in a sheltered environment.

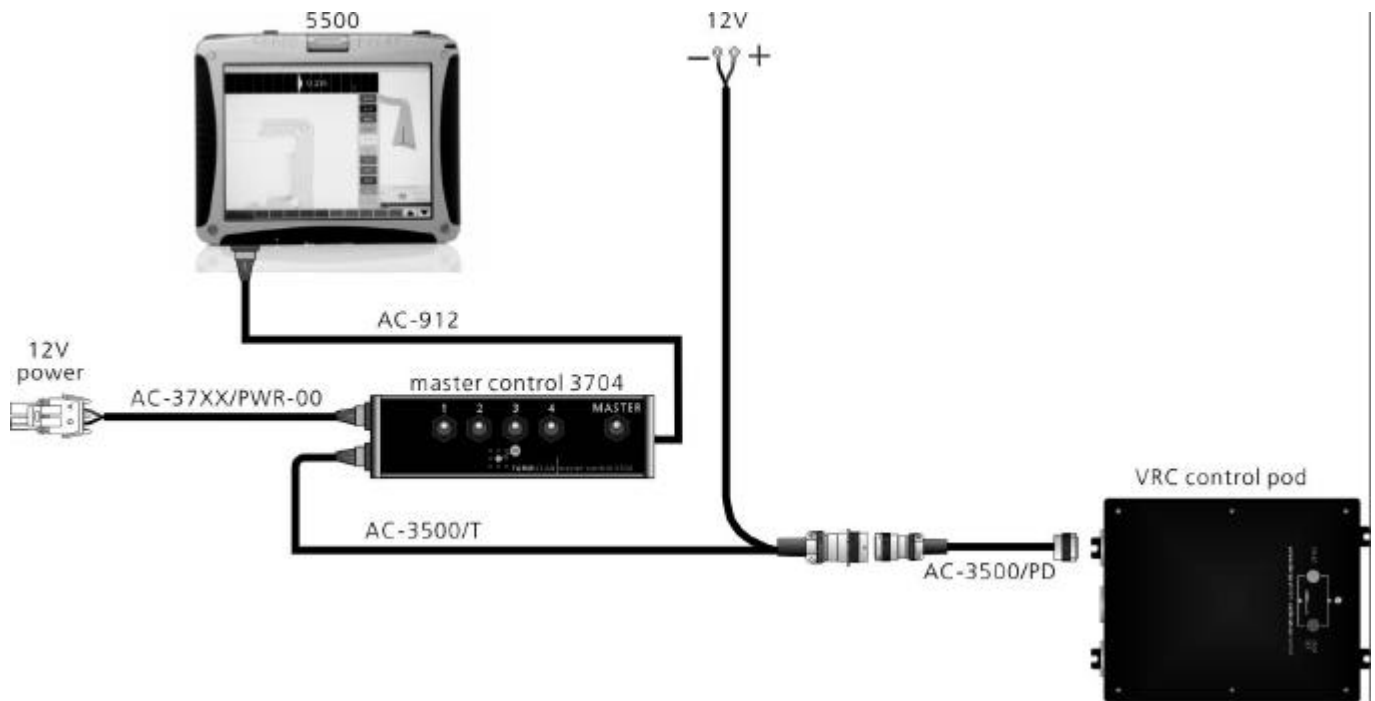
3500 and 4000

Connect AC-160 2m communication cable to the cab module and 3704 switch panel. The AC-3500/T tractor loom connects to the smart switch panel and to the control pod. See the diagram below.



5500

Connect AC-912 1.8m communication cable to the 5500 cab module and 3704 switch panel. The AC-3500/T tractor loom connects to the switch panel and the control pod. Connect AC-37XX/PWR-00 power cable to 12Volts power using the power splitter box. See the diagram below.



3704 OPERATION

If connected to the 3500 or 4000, the cab module (3500 or 4000) must be '**on**' to provide power to the switch panel.

If used with the 5500, the AC-37XX/PWR-00 power cable must be fitted and connected to +12V from the power splitter box.

Master Switch

The master switch overrides all control panel switches to provide instant on/off control of all functions.

When switched 'on' the master switch light is green. When switched 'off' the light extinguishes.

Section Switches

Separate switches control individual sections. For example a 3704 has 4 separate section switches. The section switches have three possible modes to indicate control status.

red: Indicates that the Bin is 'off'.

green: Indicates that a Bin is on.

TROUBLESHOOTING – 3704

PROBLEM	POSSIBLE CAUSE / REMEDY
<p>1. NO POWER LIGHT WHEN "MASTER" SWITCH IS 'ON'</p>	<p>With 3500/4000 Cab Module</p> <p>a) Check cab module is switched on.</p> <p>b) Check AC-160 communication cable is connected correctly to cab module and smart switch panel.</p> <p>c) If still no response, remove communication cable and replace with AC-37XX/PWR-00 power cable connected direct to battery (13.8V) or power splitter box.</p> <p>d) If 3704 works on direct power then fault is either with the communication cab or cab module. If no response from smart switch panel on direct power then fault is with smart switch panel.</p> <p>e) With 5500 Cab Module</p> <p>f) Check AC-37XX/PWR-00 is connected directly to the battery (13.8V) or power splitter box.</p>
<p>2. "SWITCH COMMS ERROR" ON CAB MODULE DISPLAY</p>	<p>With 3500/4000 Cab Module</p> <p>a) Check AC-160 communication cable is fitted correctly between smart switch panel and cab module.</p> <p>With 5500 Cab Module</p> <p>b) Check AC-37XX/PWR-00 is connected directly to the battery (13.8V) or power splitter box.</p> <p>c) Check AC-912 is fitted correctly to the smart switch panel and 5500 cab module.</p>