

Installation and Operation Instructions



CONTENTS

COMPONENT LIST.....	2
PARTS PICTORIAL.....	4
GENERAL INFORMATION.....	5
SMARTSWITCH INSTALLATION.....	5
SMART SWITCH OPERATION.....	9
TROUBLESHOOTING.....	10

COMPONENT LIST –SMART SWITCH 3705 KIT

REF	PART No.	DESCRIPTION	QTY
1	A-3705	3705 SMART SWITCH KIT	1
2	AH-37XX	SMART SWITCH MOUNTING BRACKET	2
3	AH-408	UNIVERSAL HARDWARE PACK	1
4	AC-160	2M 6PIN LTW FEM LOCK END	1
5	AC-37XX/PWR-00	SMART SWITCH POWER CABLE	1
6	AC-912	9 PIN DATA CABLE 1.8M	1
7	AM-200	FARMSCAN WARRANTY CARD	1
8	AM-37XX	SMART SWITCH BOX MANUAL	1

COMPONENT LIST –SMART SWITCH 3707 KIT

REF	PART No.	DESCRIPTION	QTY
1	A-3707	3705 SMART SWITCH KIT	1
2	AH-37XX	SMART SWITCH MOUNTING BRACKET	2
3	AH-408	UNIVERSAL HARDWARE PACK	1
4	AC-160	2M 6PIN LTW FEM LOCK END	1
5	AC-37XX/PWR-00	SMART SWITCH POWER CABLE	1
6	AC-912	9 PIN DATA CABLE 1.8M	1
7	AM-200	FARMSCAN WARRANTY CARD	1
8	AM-37XX	SMART SWITCH BOX MANUAL	1

COMPONENT LIST –SMART SWITCH 3709 KIT

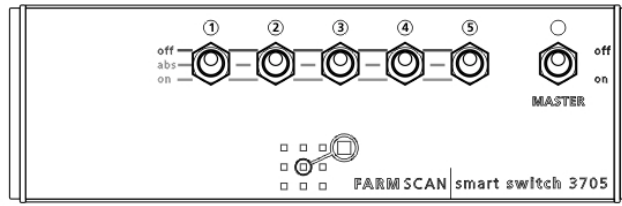
REF	PART No.	DESCRIPTION	QTY
1	A-3707	3705 SMART SWITCH KIT	1
2	AH-37XX	SMART SWITCH MOUNTING BRACKET	2
3	AH-408	UNIVERSAL HARDWARE PACK	1
4	AC-160	2M 6PIN LTW FEM LOCK END	1
5	AC-37XX/PWR-00	SMART SWITCH POWER CABLE	1
6	AC-912	9 PIN DATA CABLE 1.8M	1
7	AM-200	FARMSCAN WARRANTY CARD	1
8	AM-37XX	SMART SWITCH BOX MANUAL	1

! IMPORTANT !

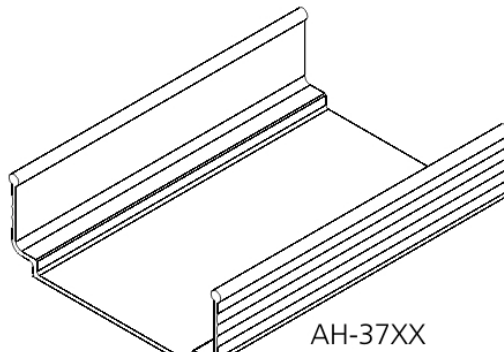
The smart switch box series is only compatible with the following cab modules:

- **CANKINK 3500**
- **FARMLAP RT 4000**
- **FARMLAP PRO 5500**

PARTS PICTORIAL – SMART SWITCH KIT



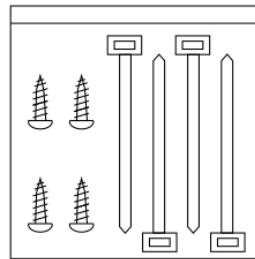
smart switch box ①



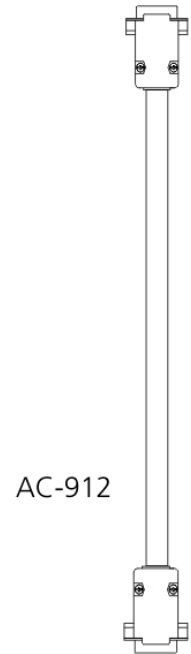
②



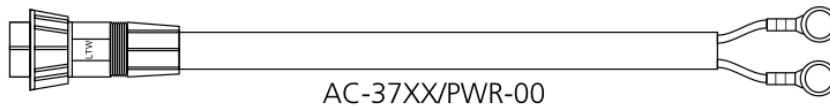
④



③



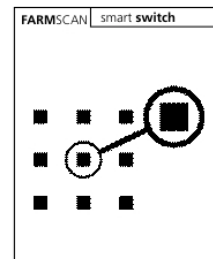
⑥



⑤



⑦



⑧

GENERAL INFORMATION

The smart switch panel provides switching for a number of boom sections. 5, 7, and 9 section switch options are available.

The smart switch panel sends control messages via a communication cable to the cab module, which in turn sends messages to the pod control box to turn the section valves on or off.

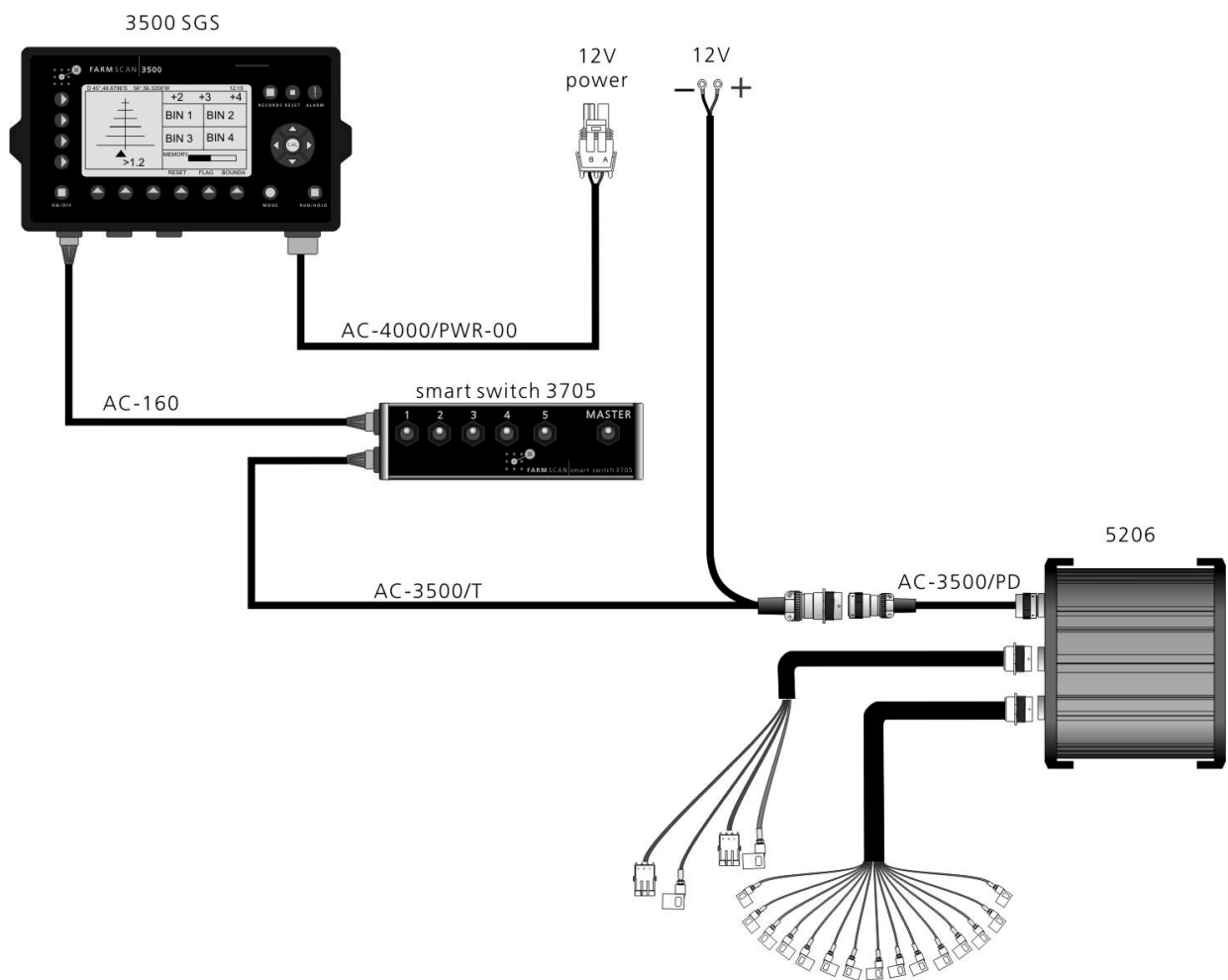
SMART SWITCH INSTALLATION

Mount the smart switch panel in the cab using the smart switch mounting bracket supplied in the kit. Mount in an in-view and easily accessible location.

The smart switch panel is not weather proof and must be installed in a sheltered environment.

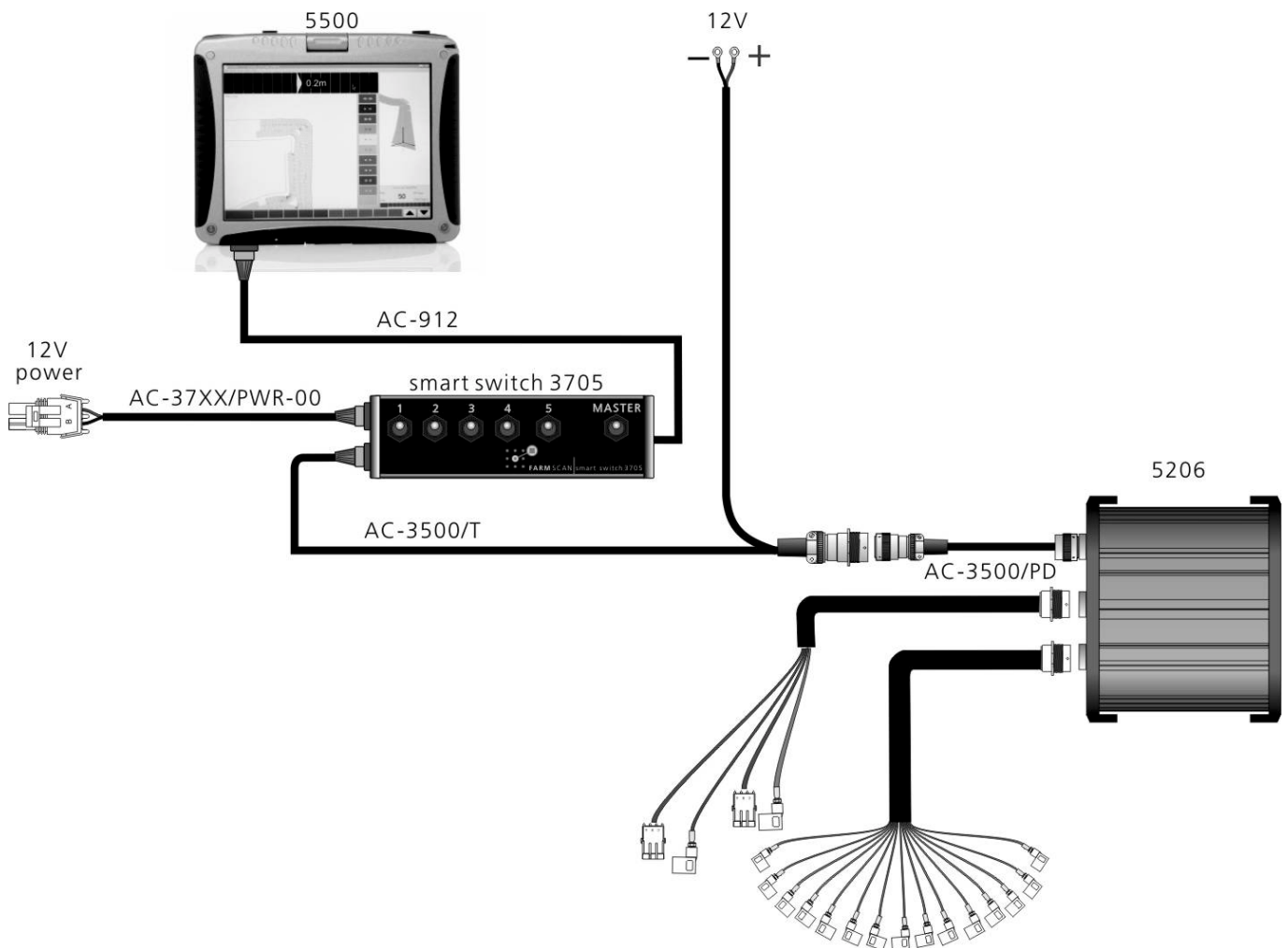
3500 and 4000 WITH 5206-SS

Connect AC-160 2m communication cable to the cab module and smart switch panel. The AC-3500/T tractor loom connects to the smart switch panel and to the control pod. See the diagram below.



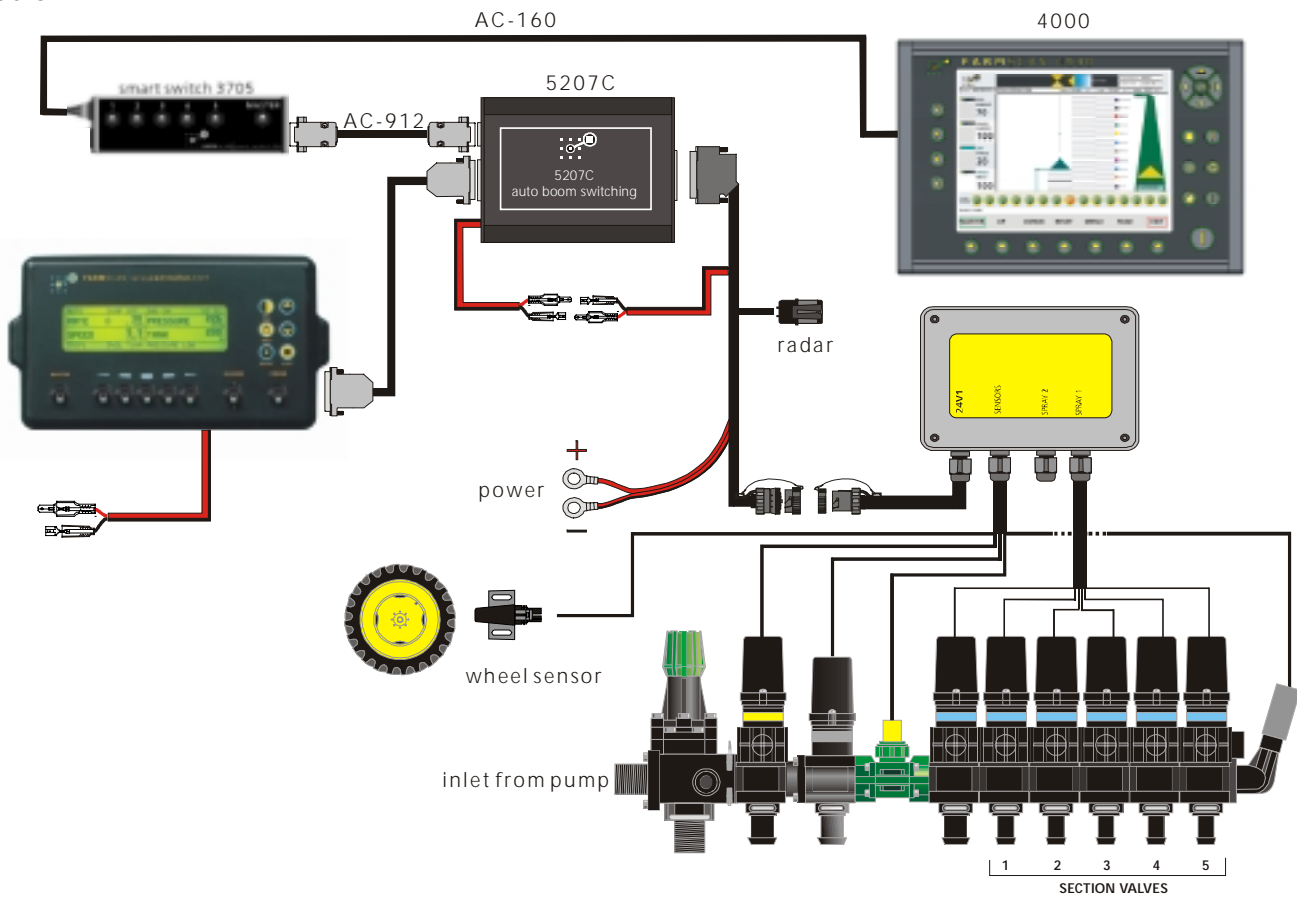
5500 WITH 5206-SS

Connect AC-912 1.8m communication cable to the 5500 cab module and smart switch panel. The AC-3500/T tractor loom connects to the smart switch panel and the control pod. Connect AC-37XX/PWR-00 power cable to 12Volts power using the power splitter box. See the diagram below.

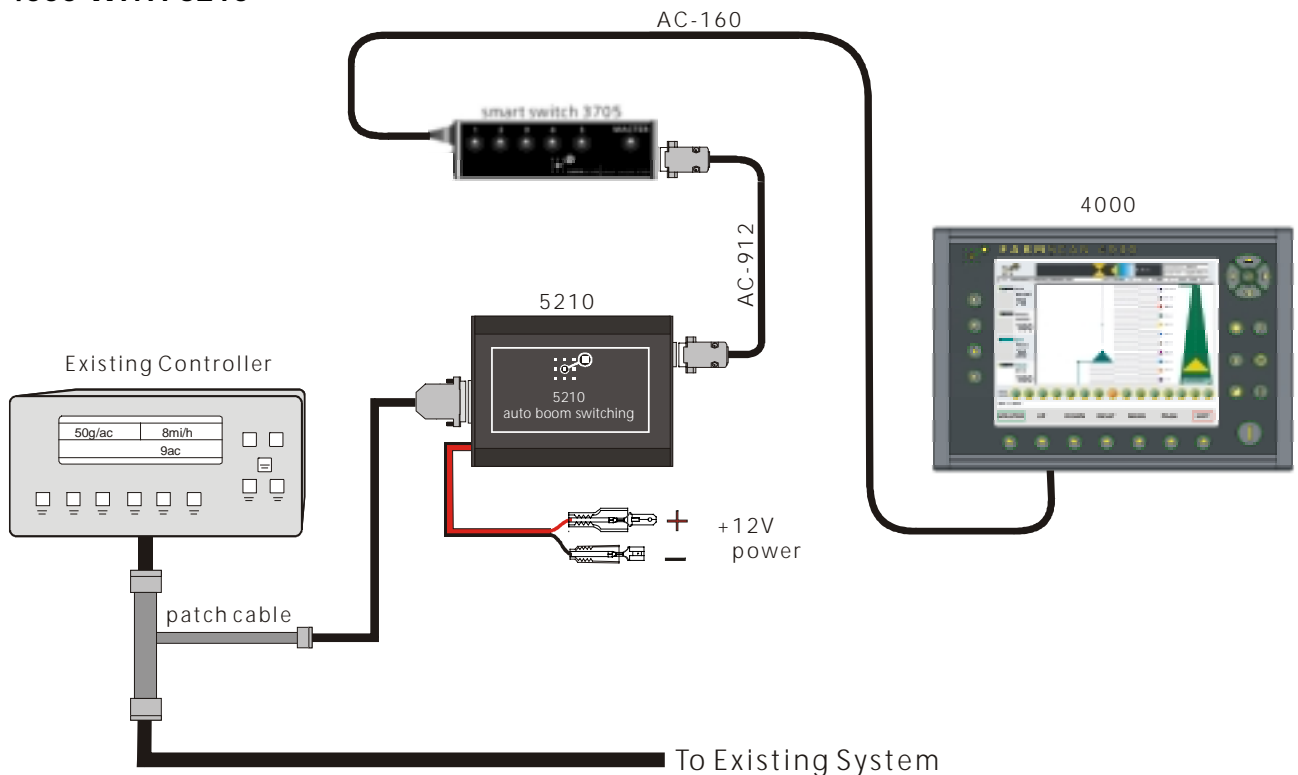


4000 WITH 5207

Connect AC-160 2m communication cable to the 4000 and smart switch panel. The AC-912 communication cable connects to the smart switch panel and to the 5207/5210. See the diagram below.

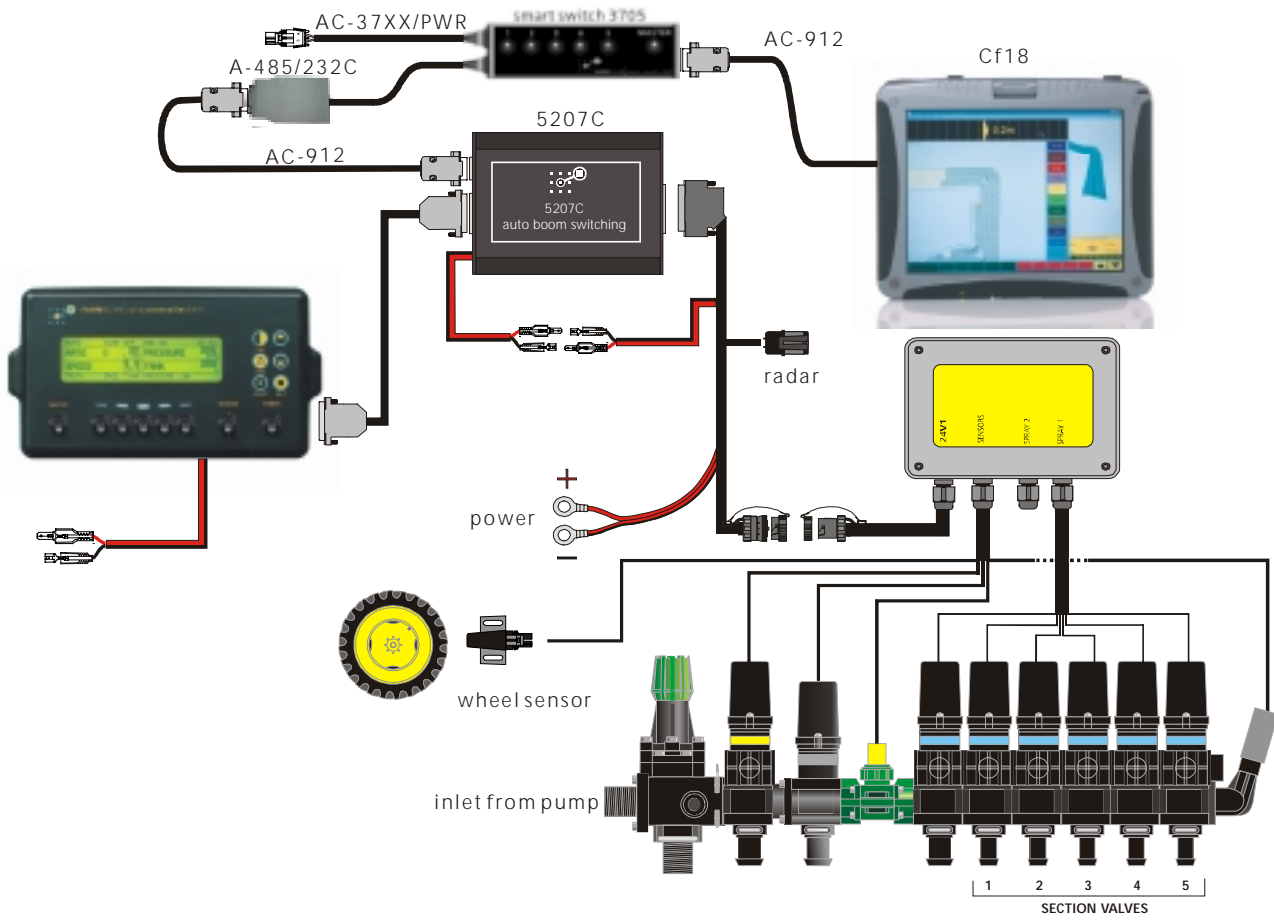


4000 WITH 5210

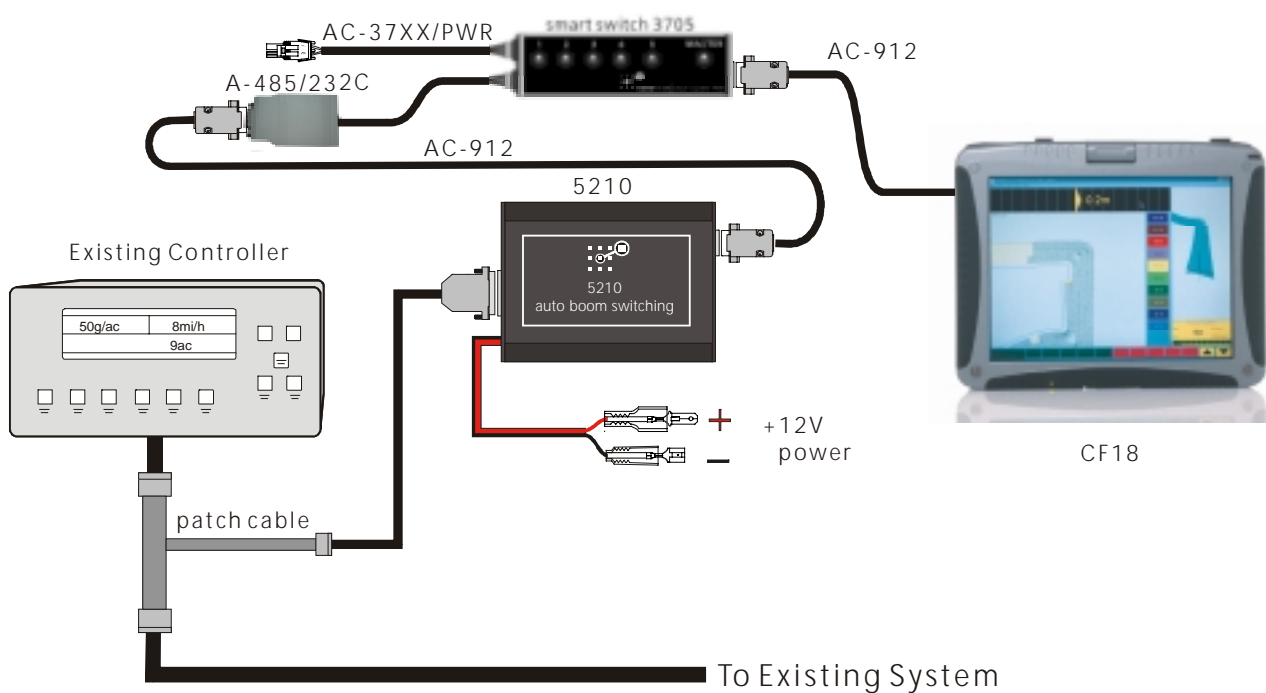


5500 WITH 5207

Connect AC-912 1.8m communication cable to the 5500 cab module and smart switch panel. For the smart switch to work with a 5500 and 5207/5210 a A-485/232C convertor needs to be connected in between the smart switch panel and 5207/5210. See the diagram below.



5500 WITH 5210



SMART SWITCH OPERATION

If connected to the 3500 or 4000, the cab module (3500 or 4000) must be '**on**' to provide power to the smart switch panel.

If used with the 5500, the AC-37XX/PWR-00 power cable must be fitted and connected to +12V from the power splitter box.

Master Switch

The master switch overrides all control panel switches to provide instant on/off control of all functions.

When switched 'on' the master switch light is green. When switched 'off' the light extinguishes.

Section Switches

Separate switches control individual sections. For example a 3705 has 5 separate section switches. The section switches have three possible modes to indicate control status.

red: Indicates that the section is 'off'.

amber: Indicates that the section is in automatic mode, ready for auto boom switching.

green: Indicates that a section is on.

TROUBLESHOOTING – SMART SWITCH PANEL

PROBLEM	POSSIBLE CAUSE / REMEDY
1. NO POWER LIGHT WHEN "MASTER" SWITCH IS 'ON'	<p>With 3500/4000 Cab Module</p> <ul style="list-style-type: none"> a) Check cab module is switched on. b) Check AC-160 communication cable is connected correctly to cab module and smart switch panel. c) If still no response, remove communication cable and replace with AC-37XX/PWR-00 power cable connected direct to battery (13.8V) or power splitter box. d) If smart switch panel works on direct power then fault is either with the communication cab or cab module. If no response from smart switch panel on direct power then fault is with smart switch panel. <p>With 5500 Cab Module</p> <ul style="list-style-type: none"> e) With 5500 Cab Module f) Check AC-37XX/PWR-00 is connected directly to the battery (13.8V) or power splitter box.
2. "SWITCH COMMS ERROR" ON CAB MODULE DISPLAY	<p>With 3500/4000 Cab Module</p> <ul style="list-style-type: none"> a) Check AC-160 communication cable is fitted correctly between smart switch panel and cab module. <p>With 5500 Cab Module</p> <ul style="list-style-type: none"> b) Check AC-37XX/PWR-00 is connected directly to the battery (13.8V) or power splitter box. c) Check AC-912 is fitted correctly to the smart switch panel and 5500 cab module.