

5210 ABS

**5210 Automatic Boom Switching
Installation & Setup Guide**

Installation

Parts

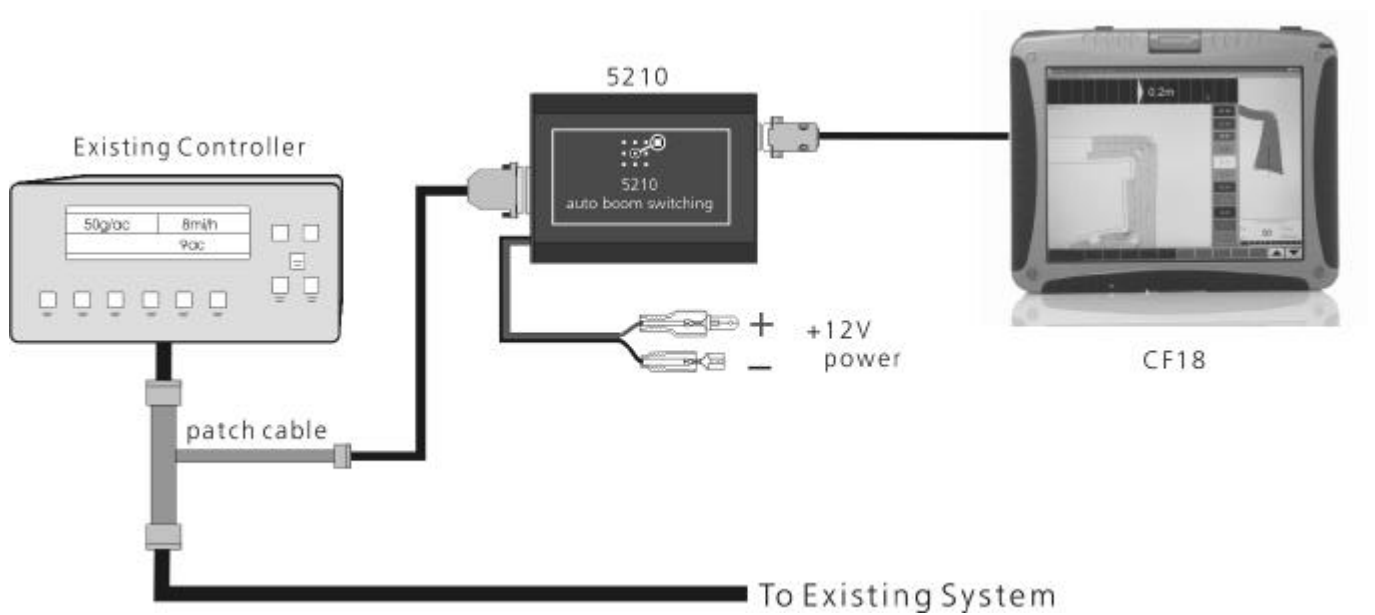
Conventional 5210

	Part #	Description	Qty
1	A-5210	Conventional Boom switching POD	1
2	AC-114	2m power extension cable	1
3	AC-912	9 Pin data cable	1
4	AH-408	Universal hardware pack	1
5	AM-200	Farmscan 2 year warranty	1
6	AM-5210	5210 Operator's Manual	1

Connections

?? Connect your system using the diagrams on the following pages as a guide.

Layout Diagram – 5210 with 5500



Layout Diagram – 5210 with 4000

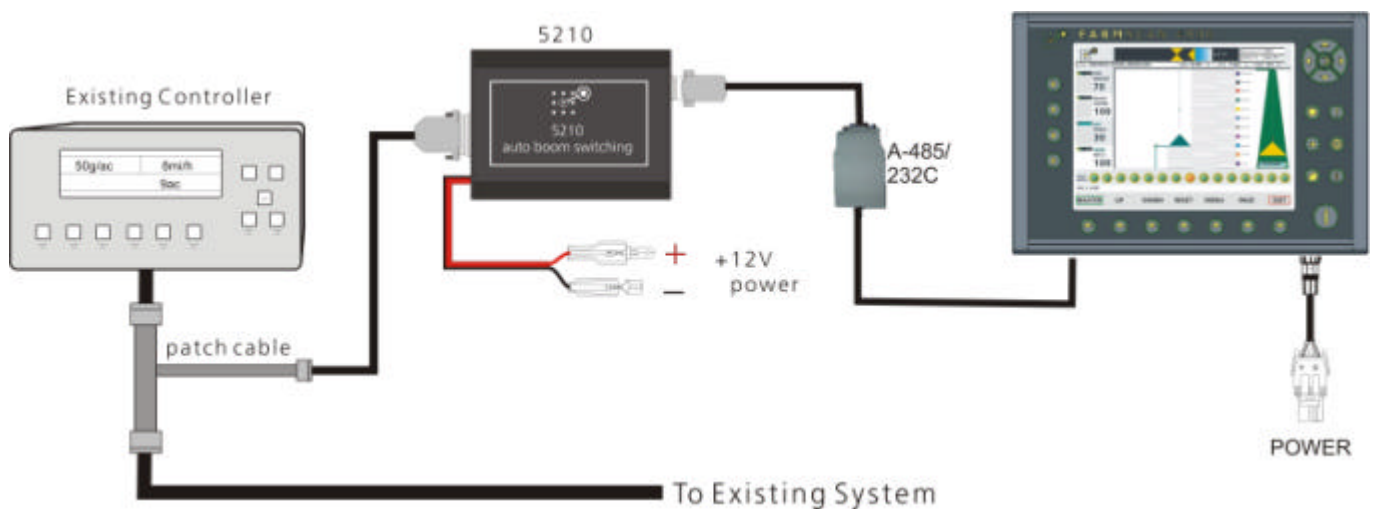


Diagram Note

?? "Existing Controller" includes the Teejet 844, 844E and 854 spray controllers and some Raven spray controllers.

?? "Existing System" refers to section valves, control valve, flow sensor etc.

Important – Controller Specific Cables

Specific 'patch cables' are available to connect each spray controller to Farmlap.

TEEJET:

AC-5207/844 Farmscan patch cable connects the Teejet 844 spray controller to Farmlap.

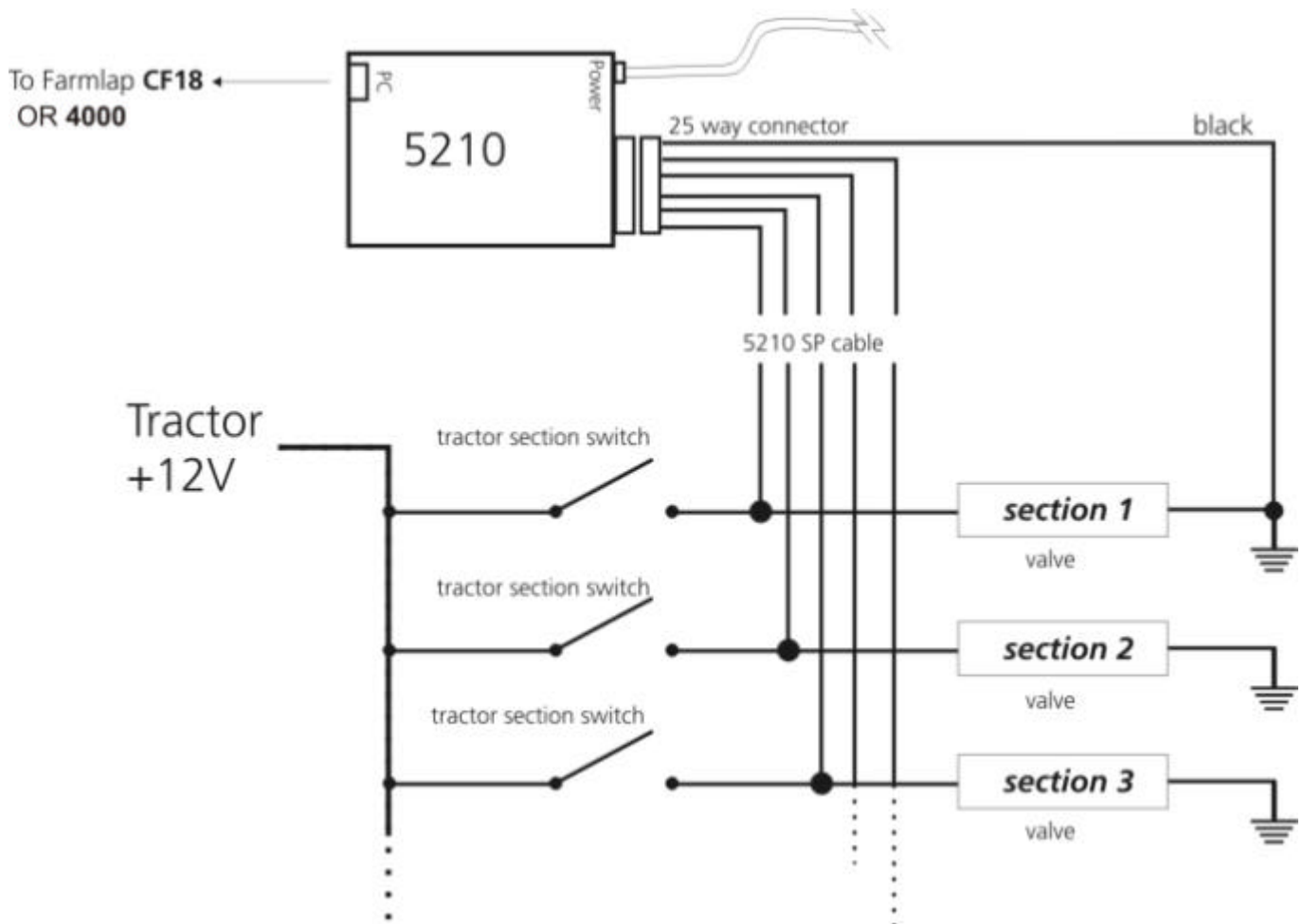
AC-5207/844E Farmscan patch cable connects the Teejet 844E and 854 spray controllers to Farmlap.

RAVEN:

AC-5207/RAVEN/4403B Farmscan patch cable connects to Raven 440 3 section spray controller to Farmlap.

AC-5210/RAVEN Farmscan patch cable connects to Raven 440/460 (more than 3 sections) spray controllers to Farmlap.

5210 Connection to SP Sprayers



Note:

- ?? Connect cable wires to the **positive switch side** of the section valves after tractor section switches.
- ?? Automatic boom switching for 10 sections only, is available from the 5210.
- ?? Leave Master section switch **on** but all individual sections must be **off** for automatic boom switching.

GENERAL NOTES:

- ?? Tie down all loose cable away from potential damage.
- ?? See the back of this manual for loom wiring details.

Pod Mounting

1. Mount the POD in a suitable position in the cab.
2. Use the hardware in the universal hardware pack to secure the POD.

NOTES:

- ?? Never expose pod to liquid of any kind even spray.

Operation 5210**General**

The 5210 has been designed to integrate external spray controllers (Teejet 844, 844E, 855 and some Raven) into Farmlap auto boom switching. Farmlap will control section switching and the Teejet 844, 844E and 854 spray controllers will control the work rate.

Work rates must be set in the external spray controllers, not in Farmlap.

Spray controllers must be calibrated as if to work without Farmlap. Farmlap must then be setup to have the same flow sensor PPL calibration factor, section numbers and widths as set up in the controller.

To Go Spraying with Auto Boom

1. Make sure you have followed the Farmlap setup procedure and the controller is fully calibrated.
2. Make sure power is connected to the 5210 and all connections as in connections are made.
3. Start up Farmlap and have the spray controller and system ready to spray.

External Spray Controller

4. Check that the *Master* switch is *on* and all section switches are off. If this does not work switch the Master switch off.
5. Make sure "ABS" icon goes green on farmlap.
6. Move forward and start spraying. Farmlap will start recording and calculating runlines.
7. Check in Farmlap that sections turn off when overlapping occurs. Sections will go red when off.

Overriding Farmlap Automatic Control

Use the spray controller's front panel section switches to override Farmlap automatic section control.

5210 Boom Switching Note

For 5210 systems area and litres will be accumulated on the controller, whereas only area covered will be accumulated in Farmlap.

For any enquires regarding the performance of your system please contact:

Farmscan Service Centre

Phone +61 8 9470 1177

A/H you will be directed to a service staff member

Farmscan

6 Sarich Way, Bentley, WA, 6102

Tel: (08) 9470 1177 Fax: (08) 9470 2855

E-mail: service@farmscan.net.au

www.farmscan.net

